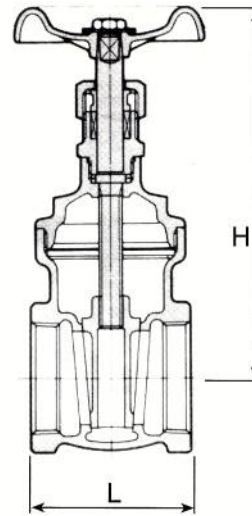


# ST-101 Bronze Gate Valve (IPS)

**200 psi W.O.G. non-shock**  
**125 psi S.P. sturated**

Hydrostatic Test Pressure: Shell 300psi  
 Seat 125 psi



## Dimensions

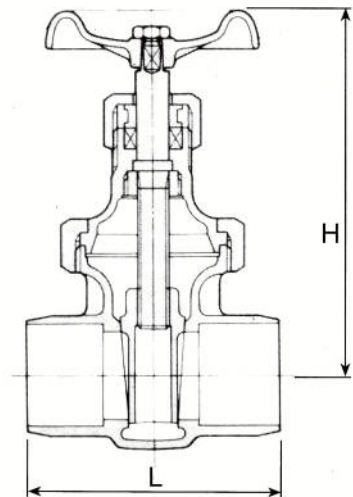
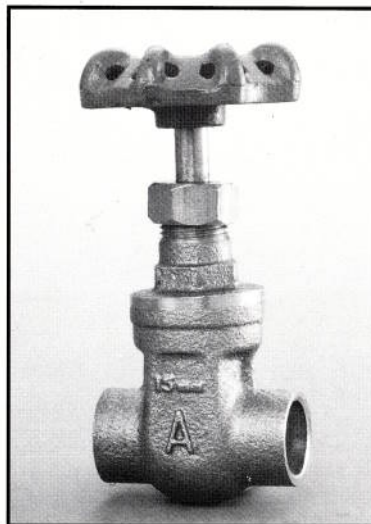
Valve Size	in	1/4	3/8	1/2	3/4	1	1-1/4	1-1/2	2	2-1/2	3	4
<b>L</b> End to End		40	40	41	51	54	60	65	71	88	96	115
<b>H</b> Height		85	85	85	100	105	125	140	155	200	220	270
Diam. of Handle		53	53	53	57	57	75	75	82	103	120	132
Content (pcs)		100	100	100	70	60	35	30	20	12	6	4

mm

# ST-102 Bronze Gate Valve (cxc)

**200 psi W.O.G. non-shock**  
**125 psi S.P. sturated**

Hydrostatic Test Pressure: Shell 300psi  
 Seat 125 psi



## Dimensions

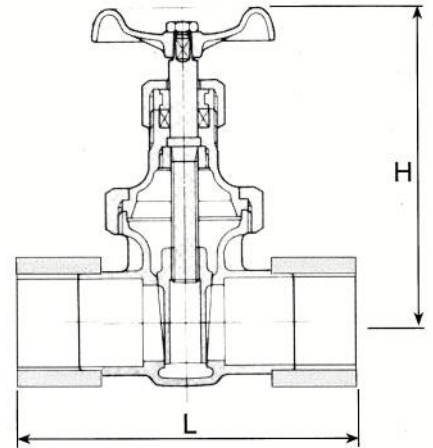
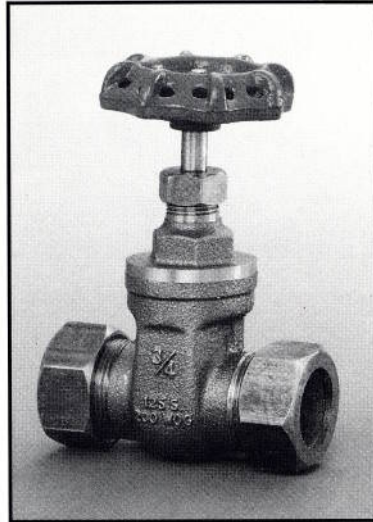
Valve Size	in	1/4	1/2	3/4	1	1-1/4	1-1/2	2
<b>L</b> End to End		37	45	63	66	77	86	104
<b>H</b> Height		74	85	100	106	118	135	161
Diam. of Handle		55	50	57	57	70	80	90
Content (pcs)		100	100	70	60	35	30	16

mm

# ST-103 Bronze Gate Valve

**200 psi W.O.G. non-shock**  
**125 psi S.P. sturated**

Hydrostatic Test Pressure: Shell 300 psi  
 Seat 125 psi



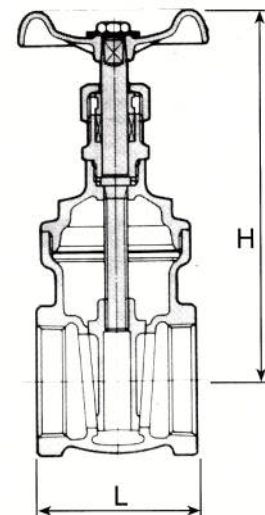
## Dimensions

Valve Size	in	1/2	3/4	1	mm
<b>L</b> End to End		75	85	94	
<b>H</b> Height		95	107	125	
Diam. of Handle		53	57	57	
Content (pcs)		72	48	30	

# ST-201 Bronze Gate Valve (Heavy Duty)

**225 psi W.O.G. non-shock**  
**150 psi S.P. sturated**

Hydrostatic Test Pressure: Shell 335 psi  
 Seat 150 psi



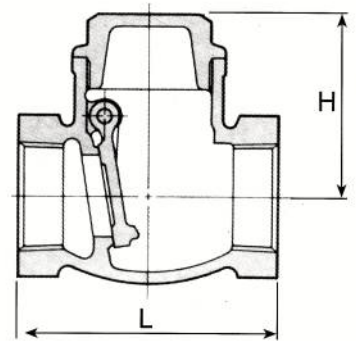
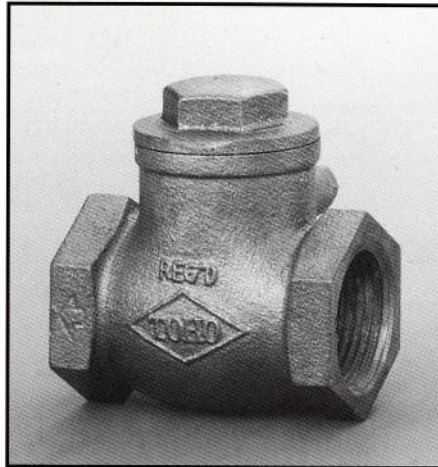
## Dimensions

Valve Size	in	1/2	3/4	1	1-1/4	1-1/2	2	2-1/2	3	4	mm
Diam.		13	19	25.4	31.8	38.1	50	63	76	100	
<b>L</b> End to End		41	51	57	60	65	72	97	100	118	
<b>H</b> Height		85	100	110	125	140	157	200	230	290	
Diam. of Handle		53	58	60	75	75	82	103	120	132	
Content (pcs)		100	70	60	35	30	20	12	6	4	

# ST-401 Bronze Swing Check Valve

**200 psi W.O.G. non-shock**  
**125 psi S.P. sturated**

Hydrostatic Test Pressure: Shell 300 psi  
 Seat 200 psi



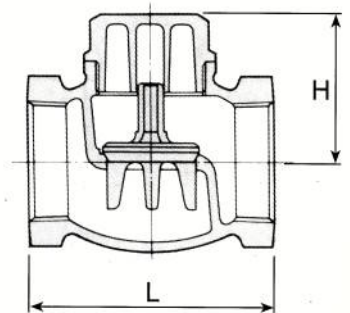
## Dimensions

Valve Size	in	1/2	3/4	1	1-1/4	1-1/2	2	2-1/2	3	4	mm
<b>L</b> End to End		55	63	73	81	92	108	137	148	180	
<b>H</b> Height		39	45	52	62	67	79	86	97	113	
Content (pcs)		100	100	70	35	30	20	10	6	4	

# ST-402 Bronze Lift Check Valve

**300 psi W.O.G. non-shock**  
**150 psi S.P. sturated**

Hydrostatic Test Pressure: Shell 450 psi  
 Seat 300 psi



## Dimensions

Valve Size	in	3/8	1/2	3/4	1	1-1/4	1-1/2	2	2-1/2	3	mm
<b>L</b> End to End		46	50	57	65	75	85	99	120	135	
<b>H</b> Height		38	45	50	63	71	81	92	123	142	
Content (pcs)		100	100	100	70	35	30	20	10	6	

# ST-301 Bronze Globe Valve

**150 psi W.O.G. non-shock**  
**100 psi S.P. sturated**

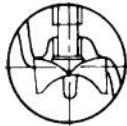
Hydrostatic Test Pressure: Shell 225 psi  
 Seat 175 psi



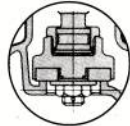
Size: 1/4" - 1"  
 The structure of gland



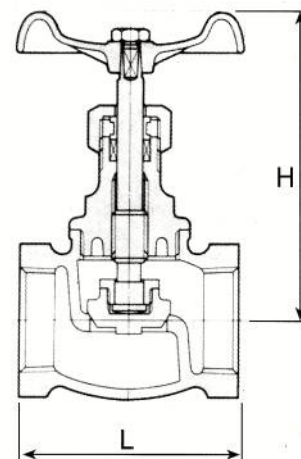
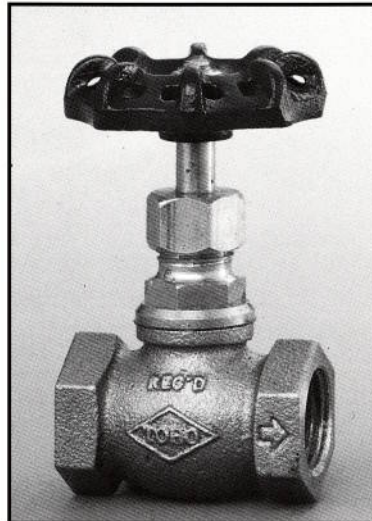
Size: 1/4" - 2"  
 The structure of disc



Size: 2-1/2" - 4"  
 The structure of disc



Size: 1/4" - 2"  
 The structure of disc  
 (Rubber or Teflon)



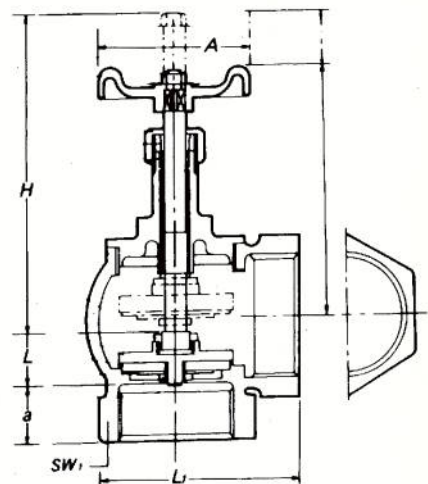
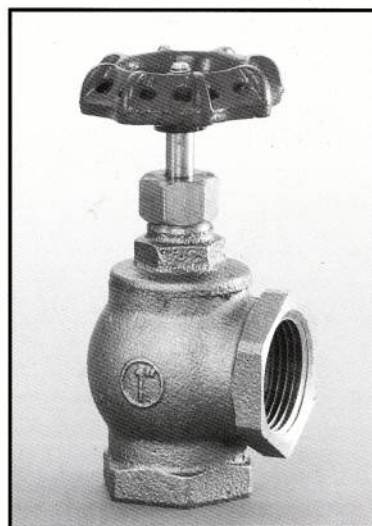
## Dimensions

Valve Size	in	1/4	3/8	1/2	3/4	1	1-1/4	1-1/2	2	2-1/2	3	4	mm
<b>L</b> End to End		42	46	50	57	65	75	85	99	120	135	153	
<b>H</b> Height		67	75	77	89	95	122	135	154	187	220	247	
Diam. of Handle		49	53	53	58	62	75	82	97	103	126	132	
Content (pcs)		100	100	100	100	60	35	30	18	9	6	4	

# ST-501 Bronze Angle Valve

**200 psi W.O.G. non-shock**

Hydrostatic Test Pressure: 300 psi

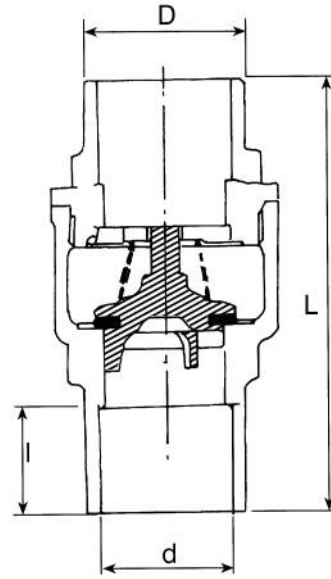


## Dimensions

Valve Size	in	1/2	3/4	1	1-1/4	1-1/2	2	mm
<b>L</b>		25	31	34	42	49	51	
<b>L1</b>		26	32	34	43	44	55	
<b>a</b>		14	16	17	19	20	22	
<b>SW1</b>		25	32	39	48	55	67	
<b>H</b>		66	73	95	112	130	135	
<b>A</b>		50	55	60	70	80	80	
<b>Content (pcs)</b>		100	80	60	35	30	18	

## ST-700 Bronze Spring Check (cxc)

200 psi W.O.G. non-shock  
142 psi S.P. sturated



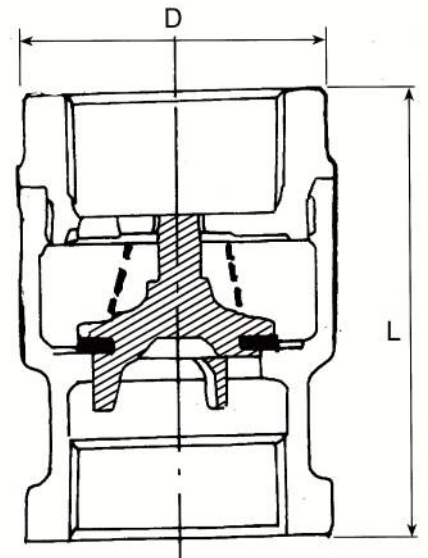
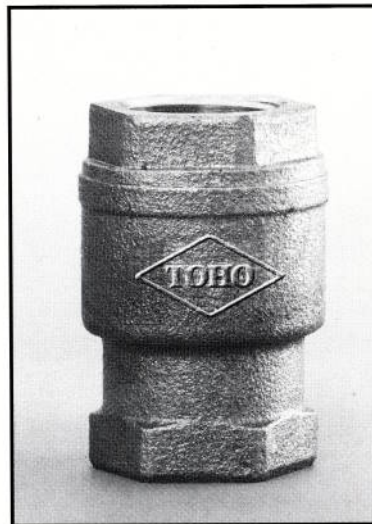
### Dimensions

Valve Size	in	3/8	1/2	3/4	1	1-1/4	1-1/2	2
<b>L</b>		54.9	61	71	89.9	98	107.4	129
<b>D</b>		31	31	38.1	48	54.9	66	79.8
<i>l</i>		9.7	12.7	19	123	24.6	27.7	34
<b>d</b>		12.9	16	122.4	28.8	24.6	41.5	54.2
<b>Content (pcs)</b>		224	204	120	72	48	36	24

mm

## ST-701 Bronze Spring Check (IPS)

200 psi W.O.G. non-shock  
142 psi S.P. sturated



### Dimensions

Valve Size	in	3/8	1/2	3/4	1	1-1/4	1-1/2	2
<b>L</b>		50	53	59	67	79	84	96
<b>D</b>		31	31	38	48	54.9	66	79.8
<i>l</i>		9.7	12.7	19	23	24.6	27.7	34
<b>d</b>		13	16	22.4	28.8	35	41.4	54.2
<b>Content (pcs)</b>		224	224	144	72	48	32	24

mm